



PERMALOC
ASPHALTEdge
 ALUMINUM ASPHALT RESTRAINT

PERMALOC ALUMINUM EDGING, 13505 BARRY STREET HOLLAND, MI, 49424
 (800) 356-9660 PHONE: (616) 399-9600 fax: (616) 399-9770 WWW.PERMALOC.COM

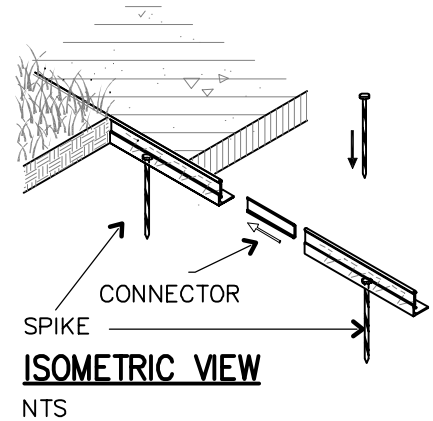
ARCHITECT NOTE: CHECK OFF APPLICABLE SIZE & FINISH DESIRED

SIZE: ALL 8' (2.44 M) LENGTHS w/ 0.210" (5.33 MM) THICK EXPOSED TOP LIP

- | | | |
|---|-----------------------------|-----------------------------|
| <input type="checkbox"/> 1" X 2.25" (25 MM X 57 MM) | <input type="checkbox"/> MF | <input type="checkbox"/> BL |
| <input type="checkbox"/> 1.5" X 2.25" (38 MM X 57 MM) | <input type="checkbox"/> MF | <input type="checkbox"/> BL |
| <input type="checkbox"/> 2" X 2.25" (51 MM X 57 MM) | <input type="checkbox"/> MF | <input type="checkbox"/> BL |
| <input type="checkbox"/> 2.5" X 2.25" (64 MM X 57 MM) | <input type="checkbox"/> MF | <input type="checkbox"/> BL |
| <input type="checkbox"/> 3" X 3" (76 MM X 76 MM) | <input type="checkbox"/> MF | <input type="checkbox"/> BL |
| <input type="checkbox"/> 4" X 3" (102 MM X 76 MM) | <input type="checkbox"/> MF | <input type="checkbox"/> BL |

FINISH LEGEND:

(MF) MILL FINISH-NATURAL ALUMINUM
 (BL) BLACK DURAFLEX-ELECTROSTATICALLY APPLIED BAKED ON PAINT, MEETS AAMA 2603



NOTES:

1. INSTALLATION PER MANUFACTURER'S "INSTALLATION GUIDELINES"
2. 8'-0" (2.44 M) SECTIONS CONNECTED WITH 4" (102 MM) SLIDING CONNECTOR.
3. MAINTAIN 3/8" (9.5 MM) GAP BETWEEN SECTIONS TO ALLOW FOR PRODUCT EXPANSION IN EXTREME TEMPERATURES.
4. CORNERS: NOTCH BASE ONLY AND FORM A CONTINUOUS CORNER.
5. PERMALOC ASPHALTEdge AS MANUFACTURED BY PERMALOC CORPORATION, HOLLAND MI. (800) 356-9660, (616) 399-9600
6. CONTRACTOR'S NOTE: FOR PRODUCT AND PURCHASING INFORMATION VISIT: WWW.PERMALOC.COM

PERMALOC ASPHALTEdge
 ALUMINUM RESTRAINT

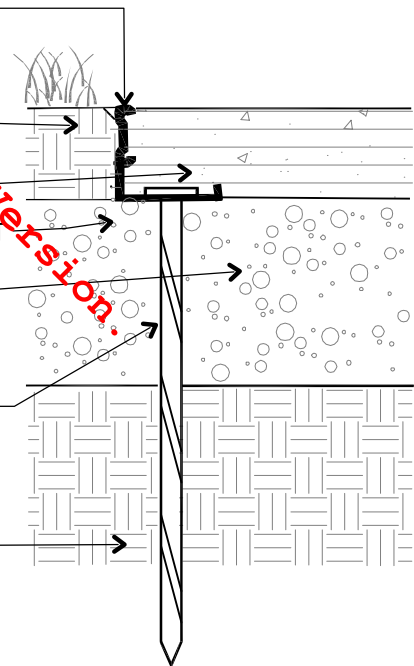
COMPACT GRADE ADJACENT TO RESTRAINT
 SINGLE COURSE ASPHALT

FILL ALL VOIDS UNDER RESTRAINT FOR PROPER SUPPORT.

COMPACT BASECOURSE EXTENDING 6" (152MM) BEYOND RESTRAINT.

3/8" x 10" (9.5MM X 254MM) SPIRAL STEEL SPIKE
 12" (305MM) O.C. (TYP). OR 4" (102MM) O.C. MIN.

SUBGRADE



**SINGLE COURSE ASPHALT AND RESTRAINT
 OVER COMPACTED GRAVEL BASE**

SCALE: 3"=1'-0"